

FIG. 1

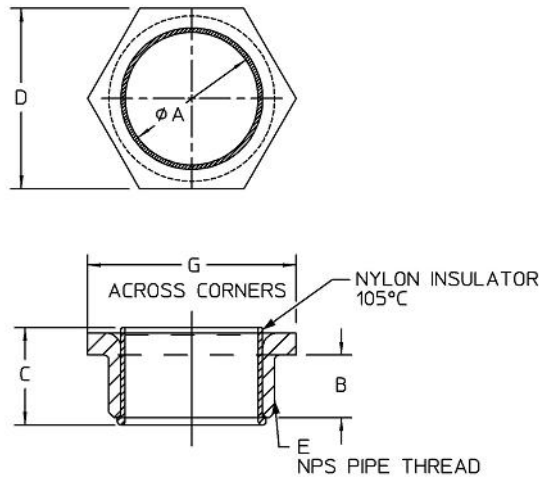


FIG. 2

CATALOG NO.	TRADE SIZE	FIG.	"A" DIA APPROX.	"B" APPROX.	"C" APPROX.	"D" APPROX.	"E" APPROX.	"G" APPROX.	MATERIAL
841	3/8"	1	15/32	7/16	9/16	13/16	3/8-18	-	MALLEABLE IRON
842-TB	1/2"	1	21/32	11/32	33/64	15/16	1/2-14	-	STEEL
843	3/4"	1	13/16	17/32	23/32	1 3/16	3/4-14	-	MALLEABLE IRON
844	1"	1	1 1/32	21/32	7/8	1 7/16	1 11-1/2	-	MALLEABLE IRON
845	1 1/4"	1	1 5/16	3/4	1	1 3/4	1-1/4-11-1/2	-	MALLEABLE IRON
846	1 1/2"	1	1 9/16	13/16	1 3/32	2 1/16	1-1/2-11-1/2	-	MALLEABLE IRON
847	2"	1	2	31/32	1 11/32	2 1/2	2-11-1/2	-	MALLEABLE IRON
848	2 1/2"	1	2 13/32	1 1/16	1 7/16	3 1/16	2-1/2-8	-	MALLEABLE IRON
849	3"	1	3	1 3/16	1 19/32	3 13/16	3-8	-	MALLEABLE IRON
850	3 1/2"	1	3 17/32	1 5/16	1 23/32	4 3/8	3-1/2-8	-	MALLEABLE IRON
851**	4"	1	4 1/32	1 5/16	1 13/16	4 3/4	4-8	-	MALLEABLE IRON
853**	5"	1	5 1/16	1 5/16	1 13/16	5 7/8	5-8	-	MALLEABLE IRON
854**	6"	1	6 1/16	1 3/8	1 7/8	6 15/16	6-8	-	MALLEABLE IRON
1942	1/2"	2	37/64	11/32	43/64	1	1/2-14	1 9/64	STEEL
1943	3/4"	2	13/16	17/32	23/32	1 3/16	3/4-14	1 3/8	MALLEABLE IRON
1944	1"	2	1	21/32	7/8	1 7/16	1-11-1/12	1 11/16	MALLEABLE IRON
1945	1 1/4"	2	1 5/16	25/32	1 1/32	1 3/4	1/1/4-11-1/2	2 1/32	MALLEABLE IRON
1946	1 1/2"	2	1 9/16	13/16	1 3/32	2 1/16	1/1/2-11-1/2	2 3/8	MALLEABLE IRON
1947	2"	2	2	31/32	1 11/32	2 9/16	2-11-1/2	2 15/16	MALLEABLE IRON
1948	2 1/2"	2	2 3/8	1 1/16	1 7/16	3 1/16	2-1/2-8	3 9/16	MALLEABLE IRON
1949	3"	2	2 31/32	1 3/16	1 19/32	3 13/16	3-8	4 3/8	MALLEABLE IRON
1950	3 1/2"	2	3 7/16	1 5/16	1 25/32	4 3/8	3-1/2-8	5 1/8	MALLEABLE IRON
1951	4"	2	3 15/16	1 5/16	1 13/16	4 5/8	4-8	5 1/8	MALLEABLE IRON
1953	5"	2	4 13/16	1 5/16	1 13/16	5 29/32	5-8	6 3/8	MALLEABLE IRON
1954	6"	2	6	1 3/8	1 7/8	6 15/16	6-8	7 5/8	MALLEABLE IRON

\*\*OCTAGONAL  
 \* STANDARD FINISH: ZINC PLATE  
 NOTE: FOR ORDERING DURA-PLATE FITTINGS FINISH PREFIX CAT. NO. WITH 040-

THIS DRAWING AND THE INFORMATION CONTAINED THEREIN IS THE PROPERTY OF THOMAS & BETTS CORPORATION. NO USE OR REPRODUCTION OF THIS DRAWING AND/OR SUCH INFORMATION IS PERMITTED UNLESS SPECIFIC CONSENT TO DO SO IS GRANTED. ALL RIGHTS RESERVED. COPYRIGHT, THOMAS & BETTS CORPORATION.

www.tnb.com

REVISIONS		GENERAL NOTES		DESCRIPTION:			 <b>Thomas &amp; Betts</b> A Member of the ABB Group
**	SEE ERN (****) FOR APPROVAL SIGNATURES & RELEASE DATE. PROJECT NO: ****	1. ALL DIMENSIONS ARE FOR REFERENCE ONLY. 2. DIMENSIONS IN BRACKETS [ ] ARE IN METRIC UNITS.		<b>3/8 TO 5 CHASE NIPPLES</b>  ORIGINAL PROJECT NO / (ERN NO) <b>rm400618 / 2018109</b>			
				REV. NO:	0	DRAWING NO:	WSD-001846